



2019-1

TECHNICAL DATA

IMPORTANT INFORMATION

All caravans by T@B are delivered with a europe-wide 10 year impermeability guarantee (annual inspection by authorised dealer mandatory) and a 24 months warranty. Please note for all T@B caravans:

Please note for all caravans of the brand T@B:

Dimensions and weight data may vary ca.+/-5% due to tolerances of the natural raw materials used.

With any modifications done on the vehicle by a non-authorized dealer or garage you may put at risk your personal security and lose T@B operating licence and warranty. Therefore please leave reparations and retrofits to the authorized T@B dealers and insist on T@B original equipment.

Retrofittings, if technically possible, will cause additional mounting and material costs. In exceptional cases some combinations of extras and options may occur as mutually exclusive.

We reserve the right to any technical modifications as to design, colour, and equipment, if technical improvement requires us to do so.

The contents of this list reflect arrangements at printing, in July 2018. It is effective as from 01.08.2018 for the 2019 model year. Previous lists are no longer valid. We reserve the right to change content at our discretion.

The water supply system is minimum state of the art (03/2009) (Regulation 2002/72/EG).

*) Annotation concerning weight data of your T@B caravans: T@B caravans come with generous permissible vehicle payload options.

By means of innovative solutions such as using high performance steel chassis* and honeycomb technology on furniture, low vehicle net weights are being realized.

The mass of the empty vehicle as referred to in the price list is the mass of the vehicle with standard equipment and without basic equipment, i.e. without "liquids" and without optional fittings as referred to in art. 2, ciff. 3 VO (EU)

Mass in running order, see Article 2, ciff. 4 a) VO (EU) 1230/2012, unless nothing different is regulated, is defined as follows:

Mass of the vehicle with standard equipment as referred to in manufacturer specifications:
+ Steel liquid gas bottles (5 kg/10 kg) filled to 100% (i. e. 10 kg/ 23 kg total mass)
+ Fresh water tank (filled to 100%)
+ Toilet flush tank (100 % full)
+ Fresh water boiler filled to 100%
= Mass in ready-to-start mode

The "permissible total mass" see Article 2, ciff. 7 VO (EU) 1230/2012 is defined as follows:
The mentioned vehicle's maximum mass from the manufacturer in loaded state (incl. Optional equipment/extras/packages and gas, water, luggage and load, etc.)"

For you as T@B caravan user:
The maximum permissible payload as referred to in the T@B catalogue is defined as:

Technically authorized total mass - mass in running order = maximum permissible payload

Example:
(Technically authorized total mass) 1.400 kg
- (Mass in running order) 1.090 kg
= (Maximum permissible payload) 310 kg

Please note that maximum permissible payload as referred to in the catalogues, for example if the mass of the additional fitting is reduced.

Please note that your T@B caravan still must have a minimum payload capacity (= minimum payload) after deduction of optional equipment's mass from the maximum permissible payload, which may not be below the minimum payload (cf. attachment I, part D, para. 2.3.4.1 VO (EU) 1230/2012):

(Maximum number of berths + total length (in m) of the vehicle body) x 10 = Minimum permissible payload (kg)

Example:
[(Maximum number of berths) 4 + (total length (in m) of vehicle body) 5] x 10 = 90 kg

The mass of the vehicle with standard equipment according to manufacturer specifications is determined through weighing of the vehicle with standard fitting.

As a user of a caravan, you are required not to exceed the values of the permissible total mass in driving mode, and respective maximum permissible axle load and nose weight limits. Furthermore, you are obliged to adhere to all other requirements for a safe usage of your caravan.

The prices of our individual packages are fixed prices and cannot be changed because of additional options. Ordering optional equipment which substitutes specific package options will not be delivered additionally.

 [FACEBOOK.TABME.DE](https://www.facebook.com/TABME.DE)

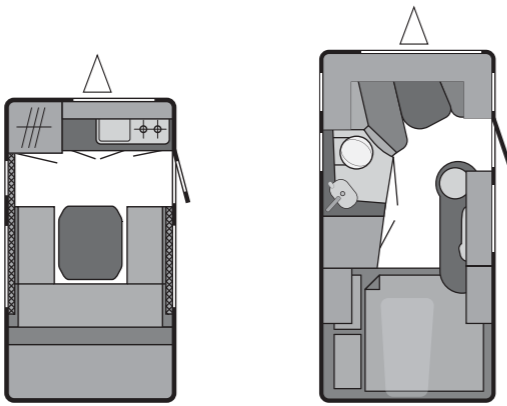
The details regarding delivery scope, dimensions and weight as well as in terms of appearance are in line with the understanding at the time of printing (07/2018). We reserve the right to make changes to the equipment, technical details, the series scope and the prices.

Upon conclusion of the contract, technical changes within the scope of the construction are retained insofar as they serve the technical advancement and are acceptable to the customer. Subtle deviations in colour tone and material properties are reserved – even after conclusion of the contract. This applies insofar as these are unavoidable due to the material itself and are acceptable to the customer.

R08116336-EN-INT



Technical details



Models	T@B 320	T@B 400
--------	---------	---------

Style BASIC – Basic all around plastic trim without side wall stickers	X	X
Style MEXICAN SUNSET – Basic all around plastic trim incl. side wall stickers	•	•
Style METROPOLIS – Basic all around plastic trim incl. side wall stickers	•	•
Style OFFROAD** – Basic all around plastic trim incl. side wall stickers, striking attachments in OFFROAD optic	•	–

Technical details	T@B 320		T@B 400
	BASIC	OFFROAD**	BASIC

Length including drawbar approx. in cm	517	517	597
Vehicle body length including bottle case approx. in cm	340	340	421
Vehicle body width approx. in cm / inside	201 / 180	201 / 180	225 / 204
Total height approx. in cm / inside	244 / 182	249 / 182	261 / 198
Unloaded weight (incl. basic equipment)*, approx. in kg	620	650	910
Mass in running order (kg)*	655	690	980
Tecnically maximum authorized laden mass (kg)**	800	1.000	1.200
Loading capacity, approx. in kg	145	310	220
Tyre size	195/55 R 15	205/70 R 15	205/65 R 15
Rim size	5 1/2 J x15	6 J x15	5 1/2 J x15
Bed dimension rear in cm	175 x 200	175 x 200	145 x 198
Bed dimension bow in cm	–	–	70 x 195
Number of roof hoods	1	1	2 + Sky View
Number of lamps 12 V / 230 V	3/-	3/-	9/-
Number of socket outlets 230 VT	2 + 1 USB	2 + 1 USB	4
Gas bottle locker on tow bar	2 x 5 kg	2 x 5 kg	2 x 11 kg

* incl. 100% fresh water filling; 100% gas; electricity supply; cable drum (for Style OFFROAD + T@B 400 = 45l; for T@B 320 = 20l canister standard). Maximum loading capacity (kg) in terms of the T@B catalogue = difference between technically maximum authorized laden mass and mass in running order. For further explanations please refer to page 5.

	Packages
150007	Autarkpackage - T@B 400
	Tuma boiler 10l for gas-fueled and electric operation with water holding capacity of 10l; 80 AH gel battery suitable for solar technology (equivalent to 100 AH lead - acid battery); battery alerter; battery capacity indicator via board control
150005	12V volt package - T@B L
	80 AH gel battery suitable for solar technology (equivalent to 100 AH lead - acid battery); battery alerter; battery capacity indicator via board control

** The name «OFFROAD» only describes one of the vehicle's styling versions and neither justifies an authorized usability of the caravan, nor a quality agreement or a possible use after the purchase agreement or a suitability for a customary use.

Standard equipment	T@B 320		T@B 400
	BASIC	OFFROAD**	BASIC
General			
10 year impermeability guarantee (annual inspection by authorised dealer mandatory)	S	S	S
Chassis			
ALKO chassis with semi-trailing arm suspension	S	S	S
Servo-assisted handbrake	S	S	S
Anti-tipper assemblies	-	-	S
Rear lighting in LED technology an CatEye optic	S	S	S
Steel wheels 5 1/2 J x 15 " (tyres 195/55 R15)	S	-	-
Light alloy wheels 6 J x 15 " (tyres 205/70 R15)	-	S	-
Steel wheels 5 1/2 J x 15 " (tyres 205/65 R15)	-	-	S

Body			
Alufiber roof with reduced sensitivity of hail	-	-	S
Side walls in aluminium plain sheet, silver	S	S	S
Roof thickness: 31 mm			
Wall thickness: 31 mm			
Floor thickness: 48 mm			
Awning light 12 V	-	-	S
Gas bottle box in the front can be equipped with 2 x 5 kg gas bottles	S	S	-
Gas bottle box in the front can be equipped with 2 x 11 kg gas bottles	-	-	S
High-quality double glazed plastic windows with safety lock	S	S	S
Manual step	-	S	-
1-piece entrance door with bull's eye window	S	S	-
Windows with blackout and mosquito netting roller blind	-	-	S
SkyView electric, with lightning	-	-	S
Awning strip all-around right and left	S	S	S

Living area			
Hard-wearing PVC floor covering	S	S	S
Furniture Salem Ash and Lino	S	S	S

Upholstery and textiles			
Select between 3 stylish upholstery variants - BASIC, LOS CABOS and OCEAN SPRAY (independent from ColorKit)	S	S	S

Kitchen/sanitary area			
Refrigerator 106 l incl. freezer	-	-	S
Storage locker instead of refrigerator	S	S	-
High-quality 3-flame gas stove with iron grates and glass cover, deep sink	-	-	S
High-quality 2-flame gas stove and sink combination with glass cover	S	S	-
Toilet Thetford C-250 S	-	-	S

Power supply			
13-pole connector system "Jäger" (ISO 11446)	S	S	S
CEE outside socke outlet for 230 V with circuit breaker	S	S	S
FI circuit breaker	S	S	S
Transformer 240 VA	S	S	S
LED light band underneath kitchen wall cabinet	S	S	S

Heating/Air Conditioning			
Heating Truma Typ Truma S 3004 with Truma Therme (5 L)	-	-	S

Gas/Water			
Central waste water drain, one external drain under the floor	S	S	S
Fresh water tank	20L-canister	45L-tank	45L-tank

Weight increase			
Weight increase 1.000 kg	-	S	-

** The name «OFFROAD» only describes one of the vehicle's styling versions and neither justifies an authorized usability of the caravan, nor a quality agreement or a possible use after the purchase agreement or a suitability for a customary use.

Item no.	Optional equipment	T@B 320		T@B 400
		BASIC	OFFROAD	BASIC
	Chassis			
150267	Stabiliser (depent on layout)	•	•	•
150620	Breakdown Service Set	•	•	•
150997	ALKO-Trailer-Control	•	•	•
151467	Spare wheel with steel rim and holder in the vehicle	•	–	•
151468	Spare wheel with alloy rim and holder in the vehicle	•	•	•
151469	External spare wheel holder and spare wheel with alloy rim (only possible with option 101470)	•	•	–
151477	Light alloy wheels 6 J x 15 " (tyres 195/55 R15)	•	–	–
151477	Light alloy wheels 6 J x 15 " (tyres 195/55 R15)	–	–	•

	Body			
100039	Bike carrier for drawbar (2 bicycles) (max. load 30 kg)	–	–	•
100612	Service hatch 700 x 305	–	–	•
102435	Service hatch rear, right side 296x349 mm	•	•	–
101402	Mosquito door 1/1	•	•	•
101455	Base support (is the premise for fitting bicycle stand or luggage box) - only available in combination with Opt. 101471 and 151460*	•	•	•
101456	Bicycle stand for 2 bicycles rear (only available in combination with Opt. 101471, 101455 and 151460*)	•	•	•
101457	Luggage box - waterproof (only available in combination with Opt. 101471 and 101455)	•	•	•
101470	Roof trim strips cross/rear	•	•	–
101471	Roof trim strips lengthwise/rear - T@B L	•	•	•
102334	Manual step	•	S	–
551462	Dim out roller blinds	•	•	S
551464	7 luggage nets	–	–	•

	Living			
551415	Flat screen carrier	–	–	•
551480	Ambient lighting	–	–	•

	Choice of cushion variants:			
552188	Active Royal, Active Rock	•	•	•
550660	COZY HOME package includes: 2 decorative cushions, 2 sleeping pillows, 2 blankets, 1 table runner			
	EARTH	•	•	•
	STONE	•	•	•
	AVOCADO	•	•	•
	AQUA	•	•	•
	MAGNOLIA	•	•	•
	PEACH	•	•	•

	Kitchen/sanitary area			
401939	Refrigerator Typ/I RM5310/60 l incl. freezer (Dometic)	•	•	–
451441	Shower device with fittings, includes the withdrawal of the 230V socket in the bathroom	–	–	•
451465	Stool upholstered - suitable for Thetford Porta Potti Qube 335	•	•	–
452472	Fresh water tank 45 ltr. - in bulidit - instead of 20 ltr. Canister	•	S	S

	Heating/air conditioning			
351388	Floor heating	–	–	•
351475	Heating Truma S 2200 with Piezo	•	•	–
552528	Climate control system Truma Saphir Comfort	•	•	•

	Weight increase			
150111	Weight increase from 800 up to 850 kg (850 kg-Chassis)	•	–	–
150112	Weight increase from 800 up to 1.000 kg (1000 kg-Chassis)	•	S	–
150111	Weight increase from 1.200 up to 1.300 kg (1300 kg-Chassis)	–	–	•
150112	Weight increase from 1.200 up to 1.400 / 1500 kg (1500 kg-Chassis)	–	–	•

	Other			
951036	Registration papers	•	•	•
952538	Factory collection	•	•	•

* Due to extensive road test there have to be added stabiliser for driving stability on mounting the base support/bicycle stand.